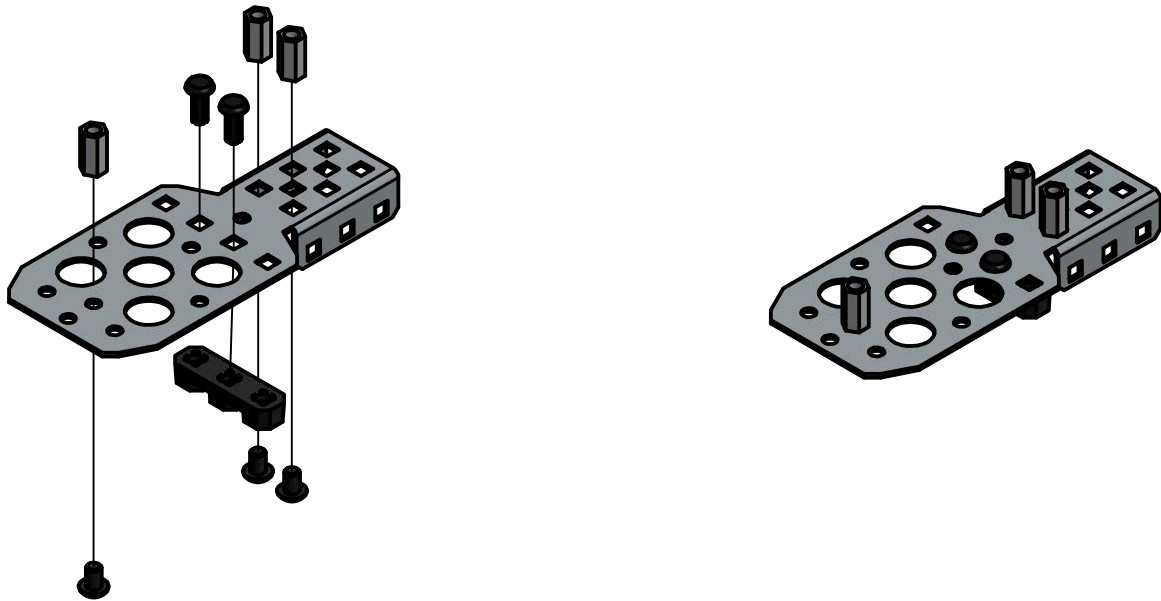
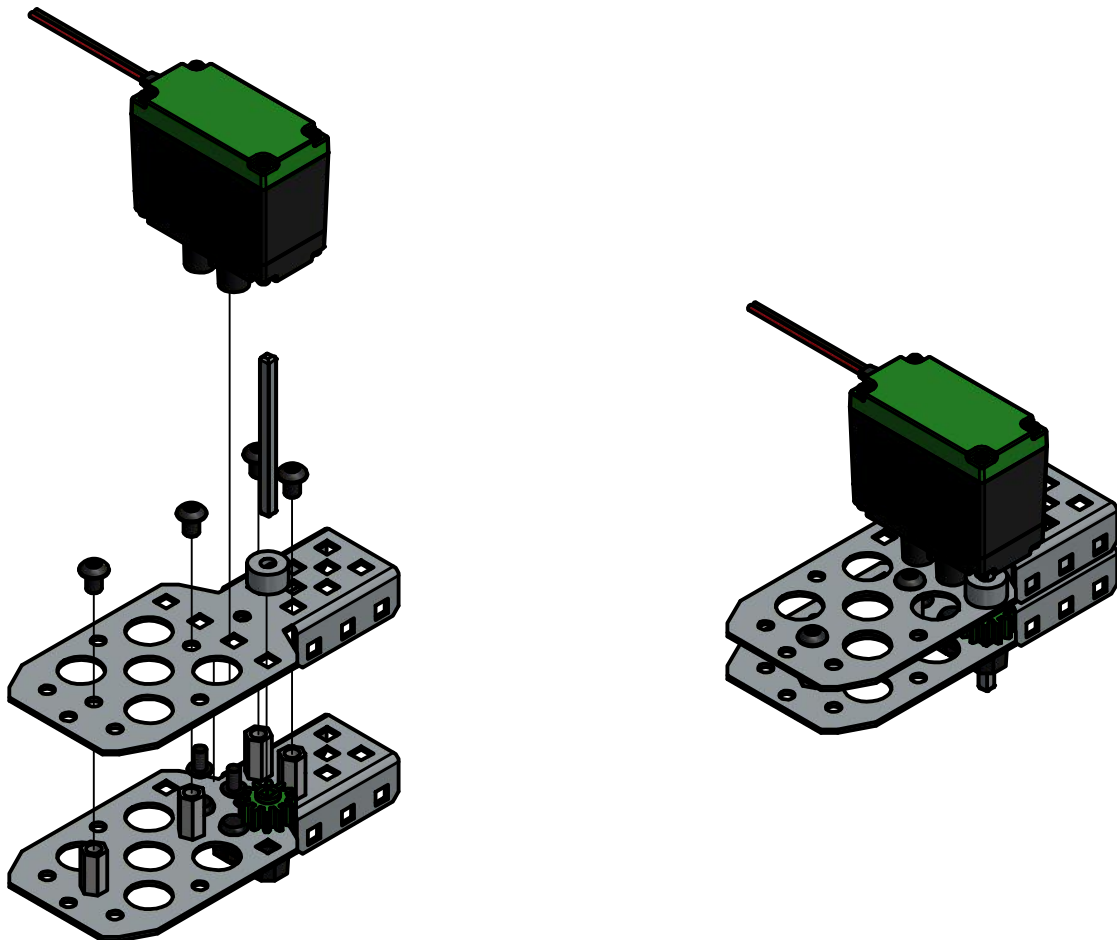


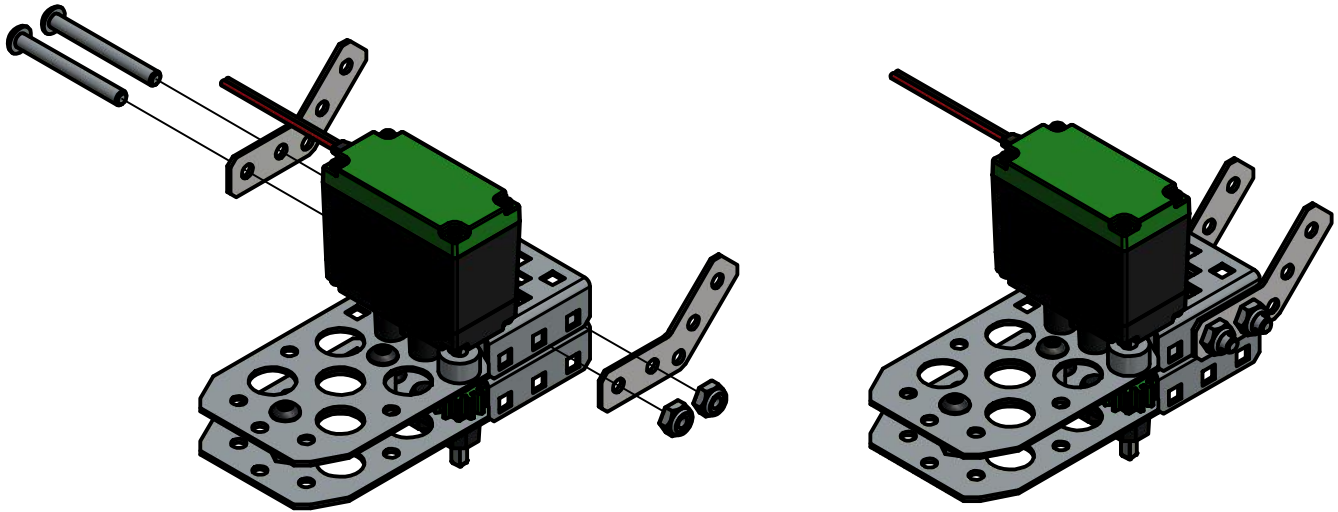
Step 1



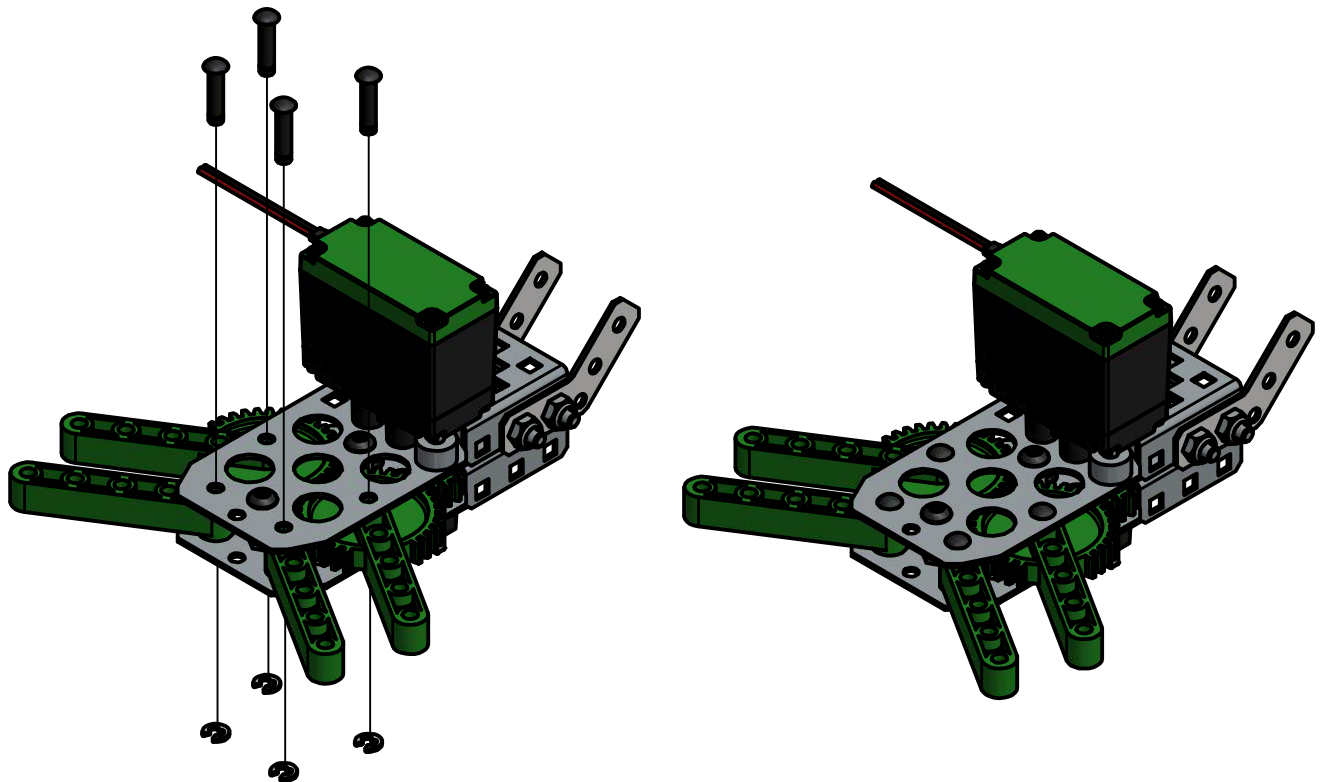
Step 2



Step 3



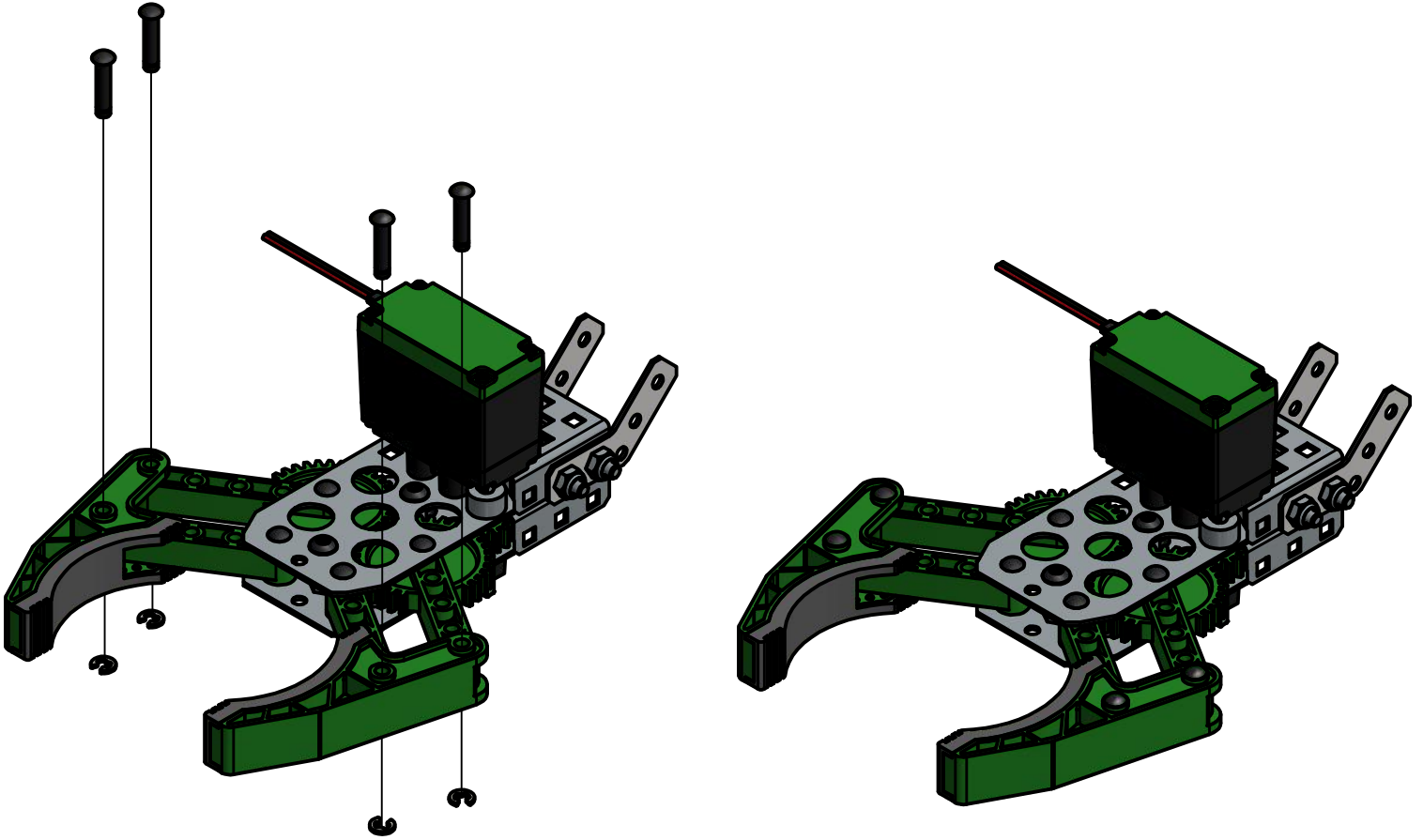
Step 4



DWG No.
Claw Steps 3-4

ALL DIMENSIONS ARE IN INCHES.

Step 5



DWG No.

Claw Step 5

ALL DIMENSIONS ARE IN INCHES.